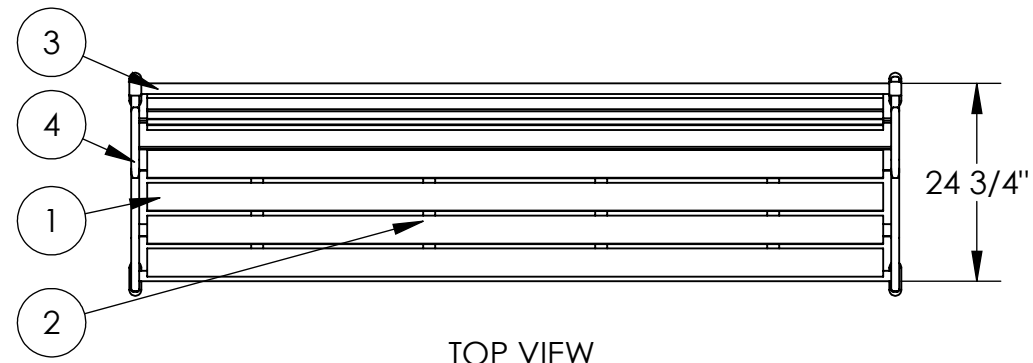
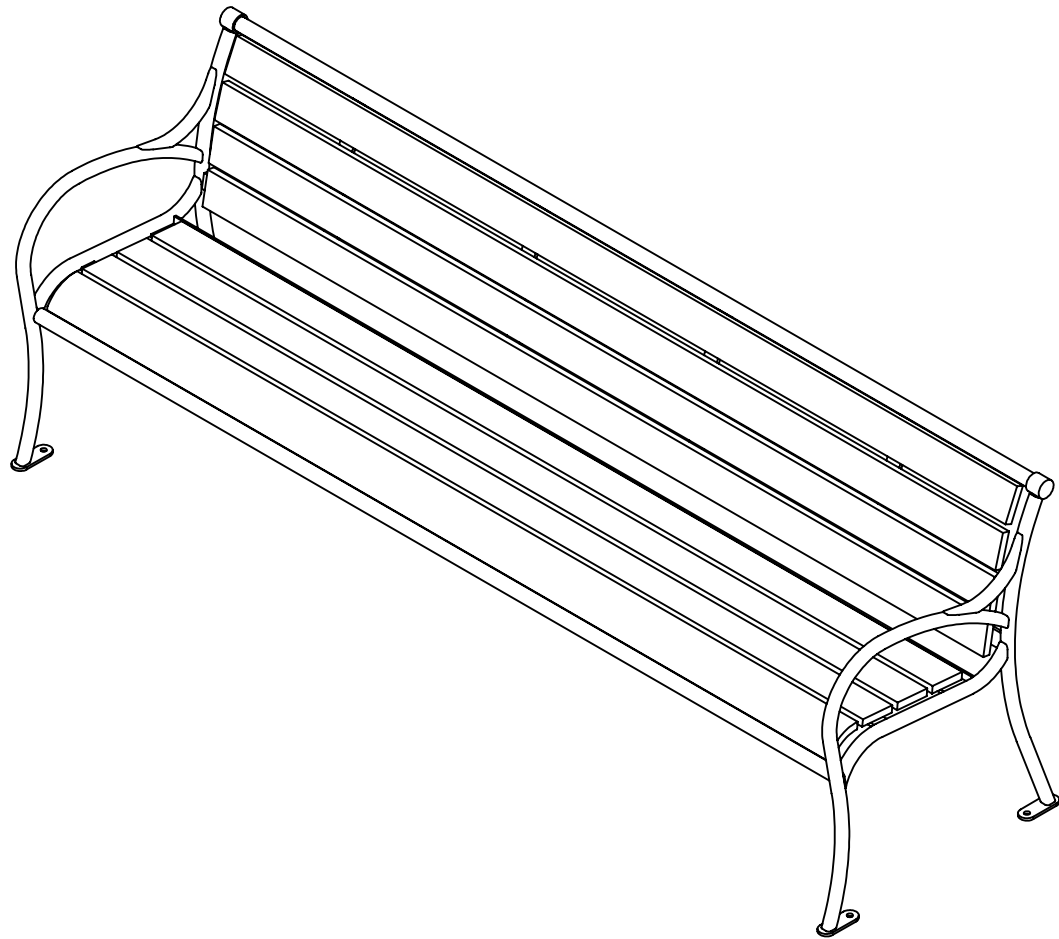




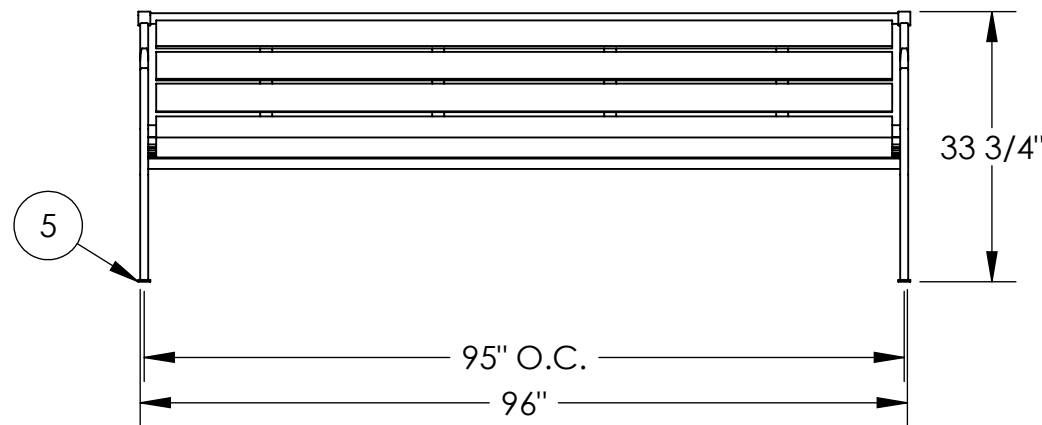
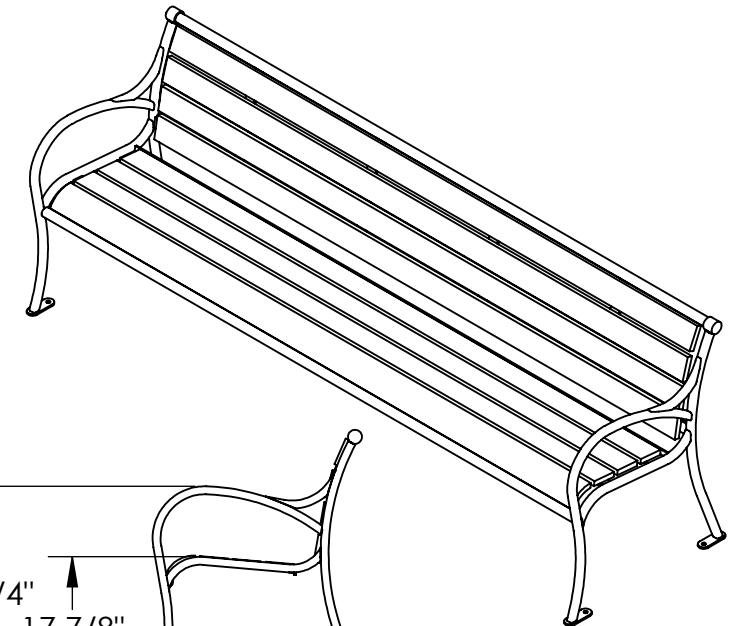
1240 North Van Buren Street - Suite 207
 Anaheim, California 92807 info@dmbraunco.com
 www.dmbraunco.com
 714-674-0855



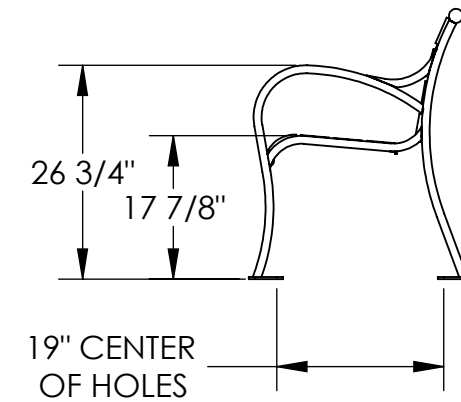
TOP VIEW

Materials List

- (1) Seat Straps - 1" x 4" Ipe Wood Slats
- (2) Seat Supports - 5/16" x 1 1/2" Steel Flat Bar
- (3) Support Pipes - ϕ 1.315" x .133" Steel Pipe
- (4) End Unit - 1" Sq. Steel Tubing
- (5) Surface Mount Plates - 1/4" x 1 1/2" Stainless Steel Plate with 9/16" Mounting Hole
- (6) Mounted with Four ϕ 1/2" x 4-5" Stainless Steel Anchor Bolts (Customer Supplied)



FRONT VIEW



RIGHT SIDE VIEW

COMMENTS: INCH TOLERANCES U.O.S. FRACTION--1/16" ANG-----1°		Project Name: LAKESHORE-8' ROUNDED ARMS	
		DWG. NO. LS-006	REV.
WEIGHT:		SHEET 1 OF 1	