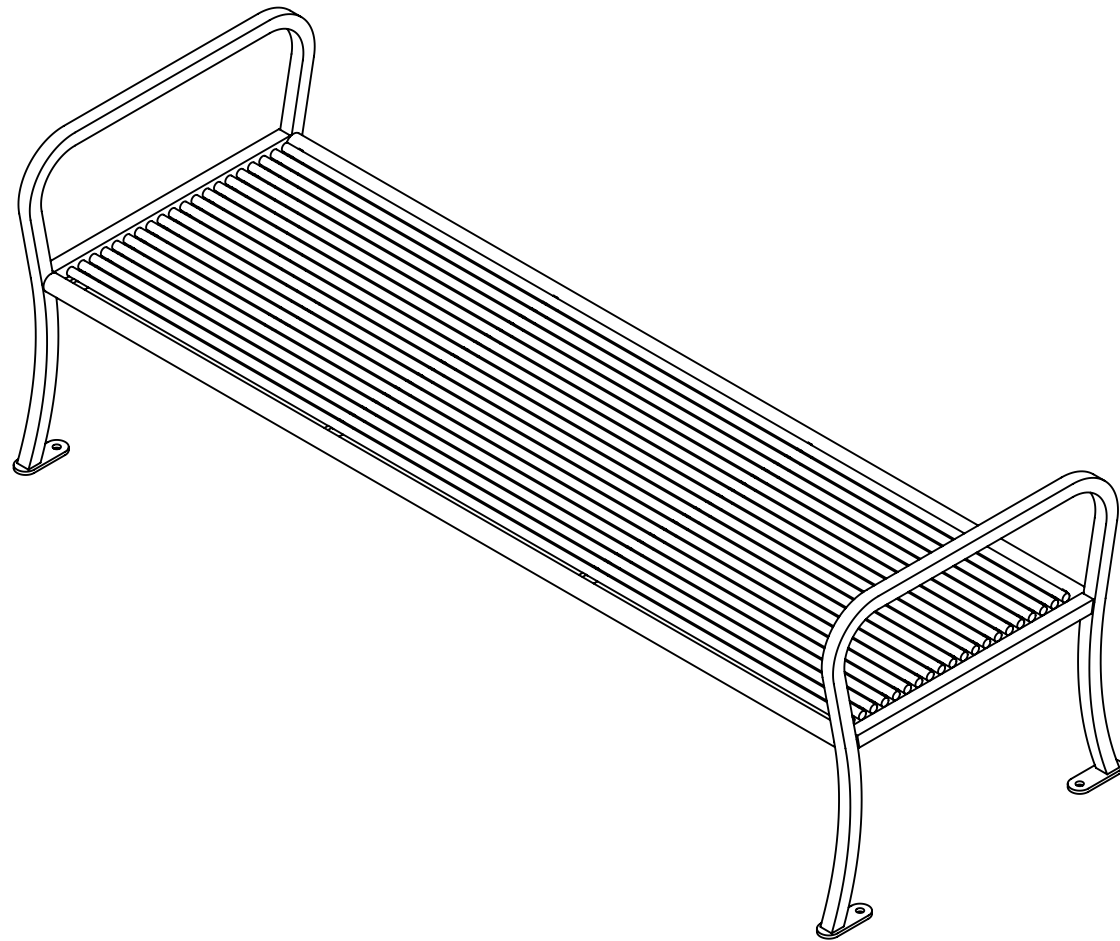
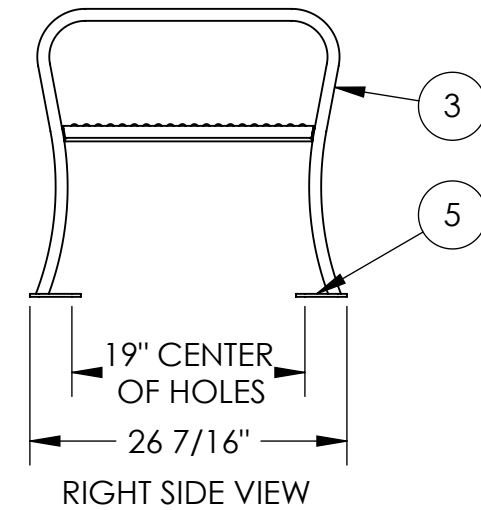
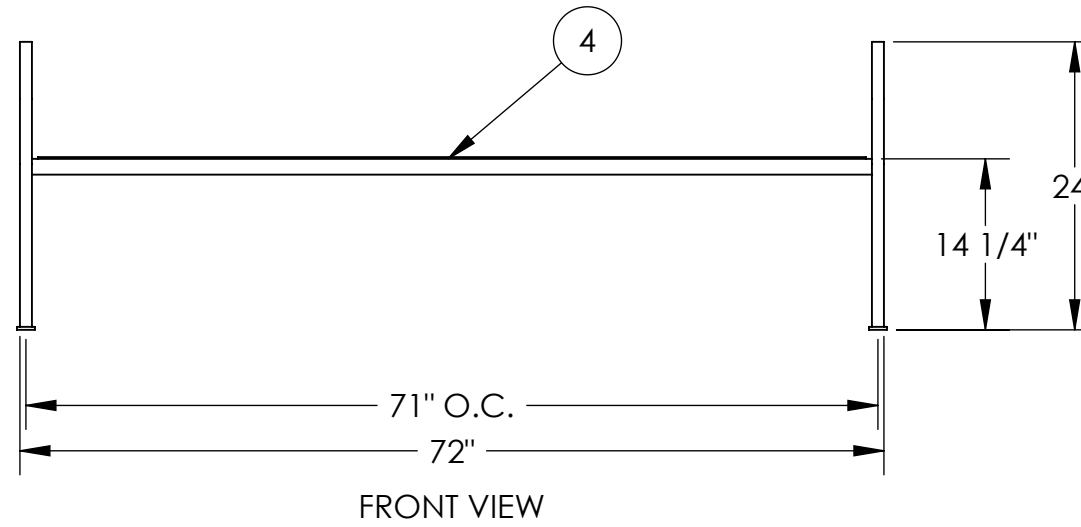
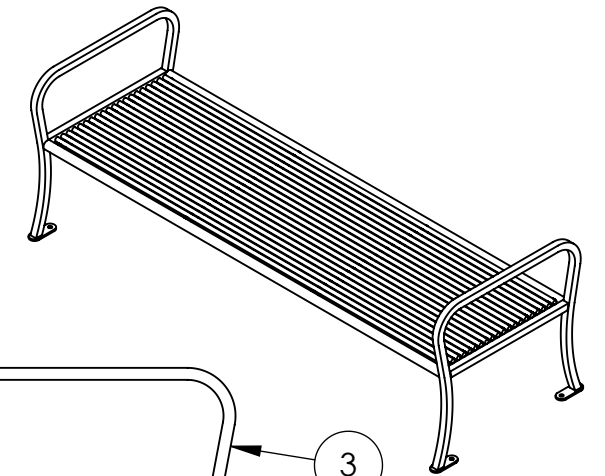
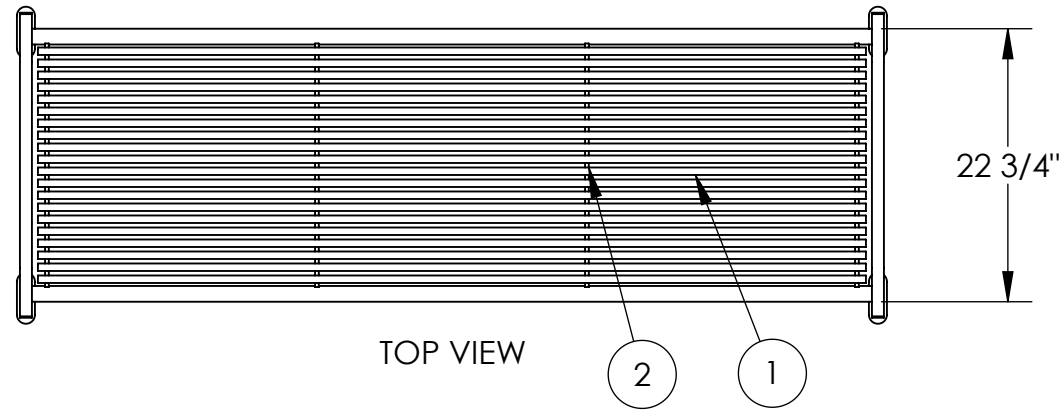




1240 North Van Buren Street - Suite 207  
 Anaheim, California 92807 info@dmbraunco.com  
 www.dmbraunco.com  
 714-674-0855

Materials List

- (1) Seat Straps -  $\phi$  5/8" Round Steel Bar
- (2) Seat Support Straps - 3/8" Laser Cut Sheet Metal
- (3) End Units - 1" Square Solid Steel Bar
- (4) Support Pipes -  $\phi$  1.315" x .133" Steel Pipe
- (5) Surface Mount Plates - 1/4" x 1 1/2" Stainless Steel Plate With Tapped Mounting Hole
- (6) Mounted with Four  $\phi$  5/8" x 4-5" Stainless Steel Anchor Bolts (Customer Supplied)



COMMENTS: INCH TOLERANCES U.O.S. FRACTION--±1/16" ANG-----±1°		Project Name: MONTECITO BACKLESS-6'	
		DWG. NO. MC002	REV.
WEIGHT:		SHEET 1 OF 1	