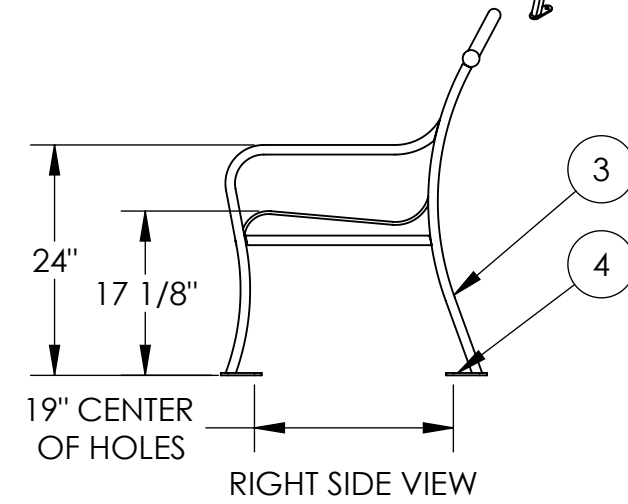
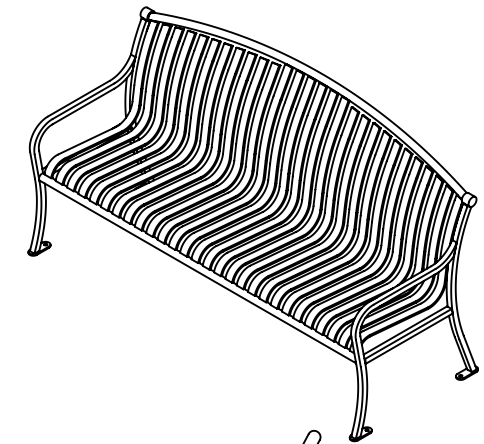


Materials List

- (1) Seat Straps - 5/16" x 1 1/2" Steel Flat Bar
- (2) Support Pipes -  $\phi$  1.315" x .133" Steel Pipe
- (3) End Units - 1" Square Solid Steel Bar
- (4) Surface Mount Plates - 1/4" x 1 1/2" Stainless Steel Plate with 9/16" Mounting Hole
- (5) Mounted with Four  $\phi$  1/2" x 4-5" Stainless Steel Anchor Bolts (Customer Supplied)



NAME	DATE	
DRAWN	01.01.2019	
CHECKED	01.01.2019	
ENG APPR.	01.01.2019	
MFG APPR.	01.01.2019	
SCALE:		DWG. Name:
COMMENTS:	INCH TOLERANCES U.O.S. FRACTION--±1/16" ANG-----±1°	Project Name: Avenue One Bench- 0008
		SIZE DWG. NO. Ave-008
		WEIGHT: 400 lbs
		SHEET 1 OF 1