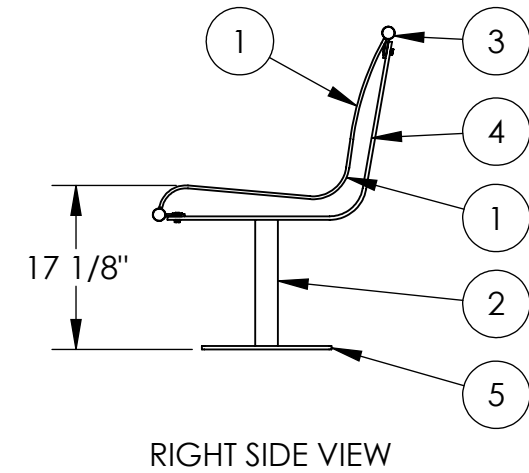
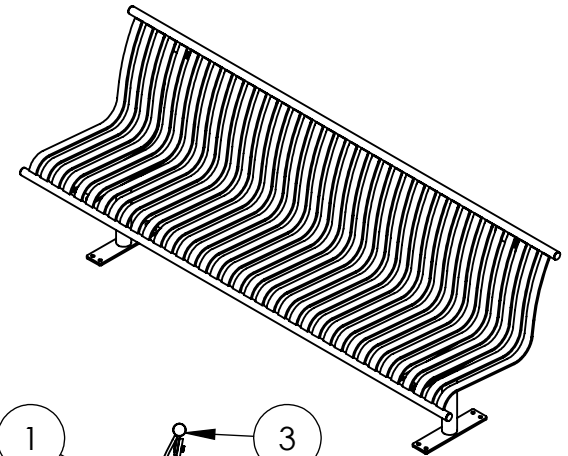


- MATERIALS LIST:
- (1) Seat Straps - 5/16" x 1 1/2" Steel Flat Bar
  - (2) Mounting Pipes -  $\phi$  2 3/8" x .154" Wall Steel Tubing
  - (3) Support Pipes -  $\phi$  1.315" x .133" Steel Pipe
  - (4) Support Straps - 3/8" x 4 1/2" Steel Flat Bar
  - (5) Surface Mount Plates - 3/8" Stainless Steel Plate with  $\phi$  9/16" Mounting Holes
  - (6) Mounted with Eight  $\phi$  1/2" x 4-5" Stainless Steel Anchor Bolts (Customer Supplied)



NAME	DATE	
DRAWN	01.01.2019	
CHECKED	01.01.2019	
ENG APPR.	01.01.2019	
MFG APPR.	01.01.2019	
SCALE:		DWG. Name:
COMMENTS:	INCH TOLERANCES U.O.S. FRACTION--±1/16" ANG-----±1°	Project Name: Avenue One Bench- 0010
		SIZE DWG. NO. Ave-010
		WEIGHT: 450 lbs
		SHEET 1 OF 1

PROPRIETARY AND CONFIDENTIAL  
THE INFORMATION CONTAINED IN THIS DRAWING IS THE SOLE PROPERTY OF D.M.BRAUN. ANY REPRODUCTION IN PART OR AS A WHOLE WITHOUT THE WRITTEN PERMISSION OF D.M.BRAUN IS PROHIBITED.