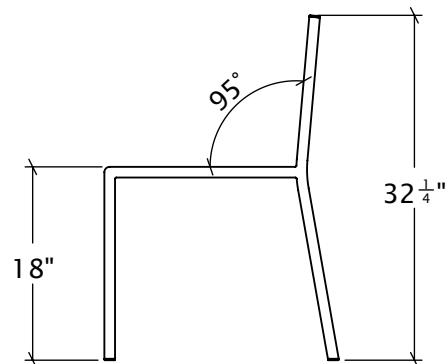
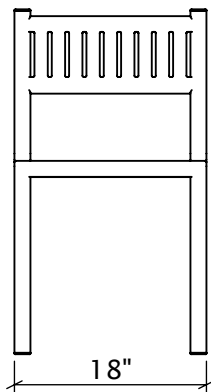
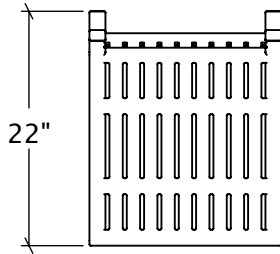


San Antonio Dining Chair

SAM-DC



Materials, Finishes, and Details

- Dining chair at 18"W, 22"D, and 32.25"H. Seat height is 18"
- Fabricated from steel with a durable powder-coat finish.
- Approximate weight: 25 lbs.

To Specify

- Specify SAM-DC by DM Braun.
- Specify powder-coat color.
- For more detail regarding materials and color options visit www.dmbraunco.com/material-options.