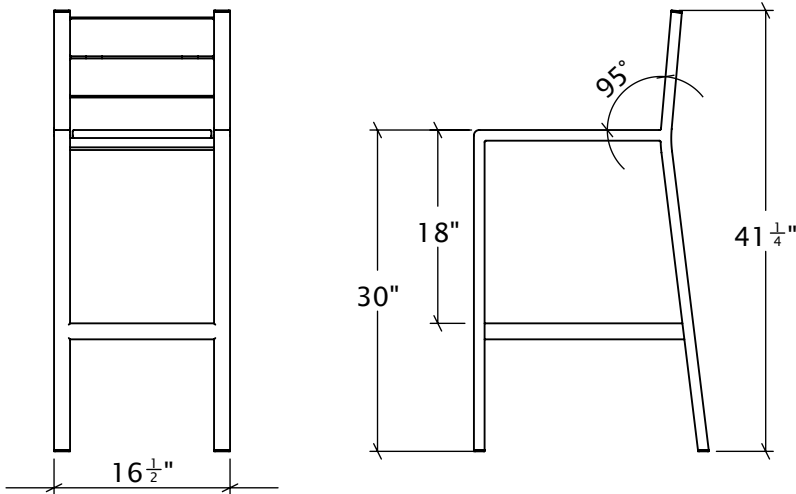
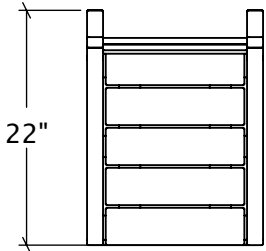


# San Antonio Wood Barstool

SAW-BS



## Materials, Finishes, and Details

- Backed barstool at 16.5"W, 22"D, and 41.25"H. Seat height is 30".
- Fabricated from steel with a durable powder-coat finish.
- Wood options include: Kebony, Ipe and Recycled Plastic Lumber.
- Wood is sanded, eased and finished with outdoor penetrating sealer.
- Stainless steel fasteners.
- Approximate weight: 49 lbs.

## To Specify

- Specify SAW-BS by DM Braun.
- Specify lumber type and powder-coat color.
- For more detail regarding materials and color options visit [www.dmbraunco.com/material-options](http://www.dmbraunco.com/material-options).