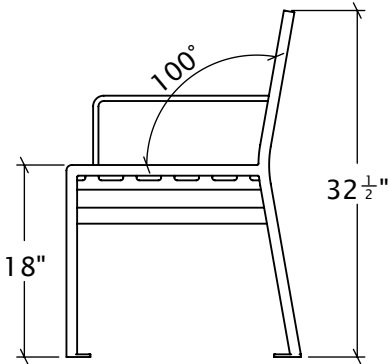
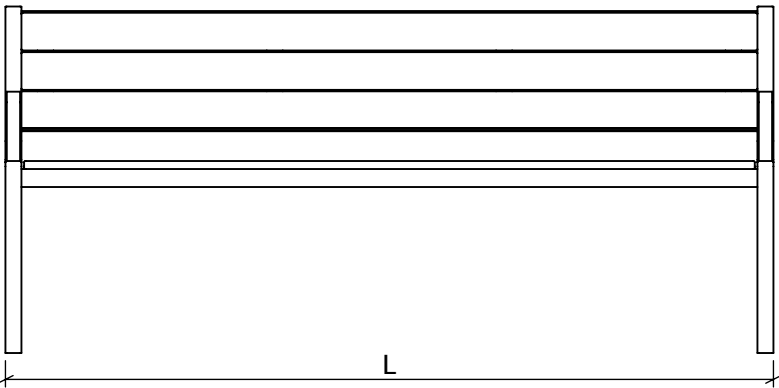
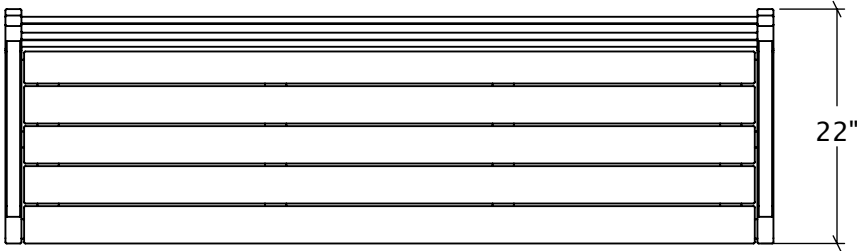


San Antonio Wood Bench

SAW-BE54, SAW-BE72, SAW-BE94



Materials, Finishes, and Details

- Backed bench available in three standard lengths. Seat height is 18".
- Fabricated from steel with a durable powder-coat finish.
- Wood options include: Kebony, Ipe, and Recycled Plastic Lumber.
- Wood is sanded, eased and finished with outdoor penetrating sealer.
- Stainless steel fasteners.
- Anchored option available.

Product #	L	Weight
SAW-BE54	54	97lbs.
SAW-BE72	72	120lbs.
SAW-BE94	94	143lbs.

To Specify

- Specify SAW-BE54, SAWBE72, SAW-BE94 by DM Braun.
- Specify lumber type and powder-coat color.
- For more detail regarding materials and color options visit www.dmbraunco.com/material-options.