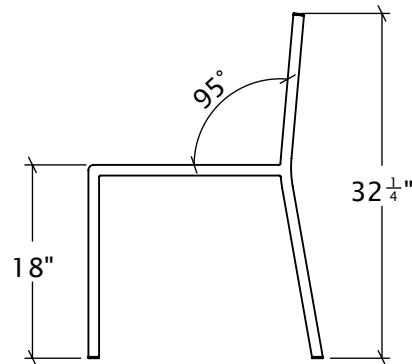
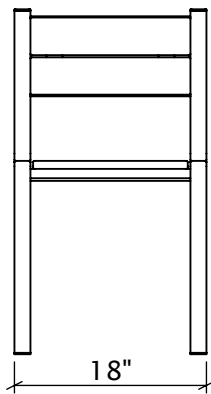
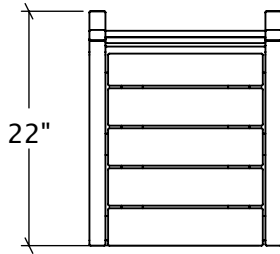


San Antonio Wood Dining Chair

SAW-DC



Materials, Finishes, and Details

- Dining chair at 18"W, 22"D, and 32.25"H. Seat height is 18"
- Fabricated from steel with a durable powder-coat finish.
- Wood options include: Kebony, Ipe and Recycled Plastic Lumber.
- Wood is sanded, eased and finished with outdoor penetrating sealer.
- Stainless steel fasteners.
- Approximate weight: 27 lbs.

To Specify

- Specify SAW-DC by DM Braun.
- Specify wood type and powder-coat color.
- For more detail regarding materials and color options visit www.dmbraunco.com/material-options.